



18K Tilt

Standard Features:

Sizes: 7' between the fenders x 16' w/
4' stationary

Coupler: 2 5/16" 5 position adjustable

Axles: (3) 6K Electric Braking

GVW: 18K

Tires: Radial ST235/80R/16E

Tie Downs: Stake Pockets, D-rings,
belt winches

Lights: Sealed LED w/ rubber mount

Paint: High solids polyurethane

Deck: 2" x 6" Douglas Fir

Jack: 10K Drop Leg

Curb Weight: 4400#

More on Back



1350 S Calapooia Street

Sutherlin, OR, 97479

541-459-6215

Features continued:

- Lifetime structural warranty
- Hydraulic cushion cylinder
- Fender steps
- Heavy duty 11 gauge Jeep style fenders
- Lockable tool box
- Emergency break-away system
- Safety chains
- Spare tire mount
- Front bumper bar



Optional (+\$):

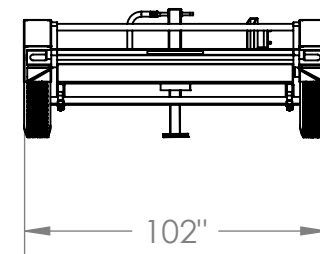
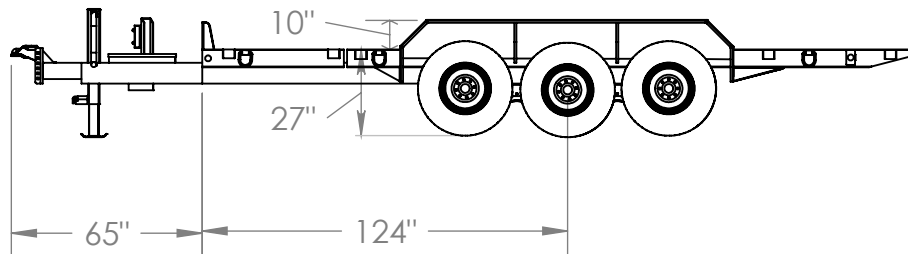
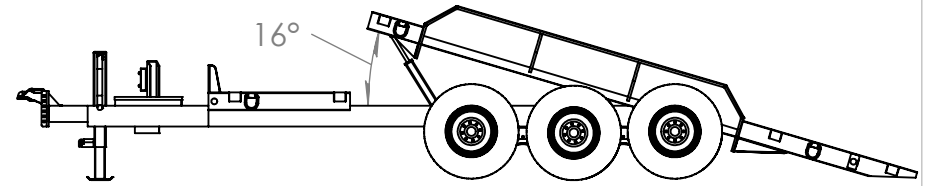
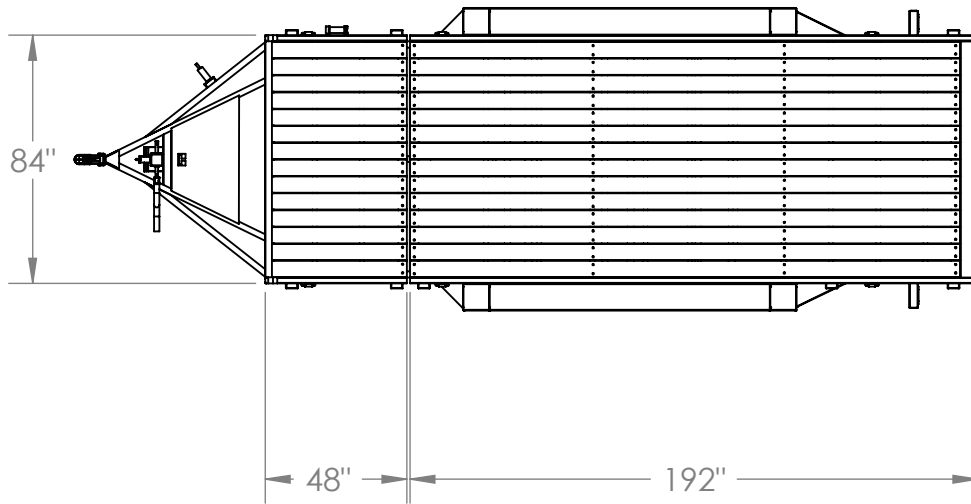
- Power up and down
- Winch and winch mount
- 1/8" Tread plate steel deck
- Wireless remote control
- Spare Tire
- Custom Color (see chart)



1350 S Calapooia Street

Sutherlin, OR, 97479

541-459-6215



	NAME	DATE
DRAWN	Don	Monday, August 27, 2012 11:53:33 AM
CHECKED		Monday, August 27, 2012 11:53:33 AM

PROPRIETARY AND CONFIDENTIAL
 THE INFORMATION CONTAINED IN THIS DRAWING IS THE SOLE PROPERTY OF GREAT NORTHERN TRAILER WORKS. ANY REPRODUCTION IN PART OR AS A WHOLE WITHOUT THE WRITTEN PERMISSION OF GREAT NORTHERN TRAILER WORKS IS PROHIBITED.

UNLESS OTHERWISE SPECIFIED:
 DIMENSIONS ARE IN INCHES
 TOLERANCES:
 FRACTIONAL ± 1/16
 MATERIAL



20' 18k Tilt (4' Stationary)

SIZE	TARE WIEGHT:	REV
	4300 LBS	