



ATV Trailer

Standard Features:

Sizes: 7' between fenders x 14' long

Coupler: A-frame 2"

Axles: (1) 3500# Idler (Tandem has braking axles)

GVW: 2990#

Jack: 1K Flip-up w/ wheel

Deck: 2"x6" Doug fir

Tires: 15" 5 hole radial

Tie Downs: Bumper rail

Lights: Sealed LED w/ rubber mount

Paint: High solids polyurethane

Curb Weight: 1550#

More on Back



1350 S Calapooia Street

Sutherlin, OR, 97479

541-459-6215

Features continued:

- Lifetime structural warranty
- Stow away ramps
- Side and back load ramps
- Front bumper bar
- Safety Chains
- Spare tire mount



Optional (+\$):

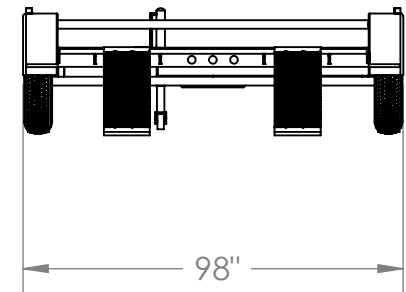
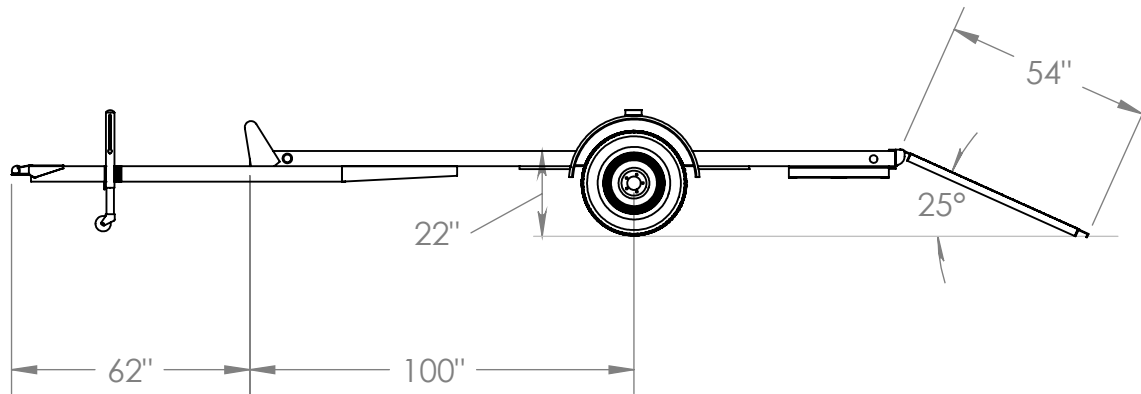
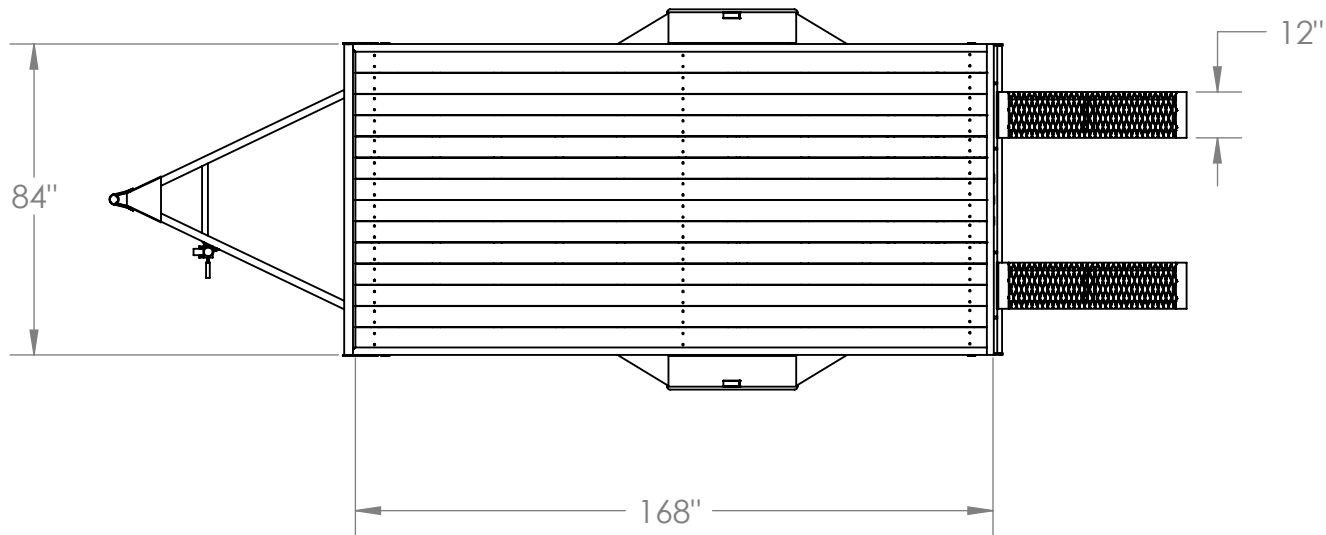
- Tandem axle setup
- (Tandem has electric brakes and safety breakaway system)
- Spare tire
- Custom color (see chart)



1350 S Calapooia Street

Sutherlin, OR, 97479

541-459-6215



	NAME	DATE
DRAWN	Don	Tuesday, August 07, 2012 12:10:46 PM
CHECKED		Tuesday, August 07, 2012 12:10:46 PM

PROPRIETARY AND CONFIDENTIAL
 THE INFORMATION CONTAINED IN THIS DRAWING IS THE SOLE PROPERTY OF GREAT NORTHERN TRAILER WORKS. ANY REPRODUCTION IN PART OR AS A WHOLE WITHOUT THE WRITTEN PERMISSION OF GREAT NORTHERN TRAILER WORKS IS PROHIBITED.

UNLESS OTHERWISE SPECIFIED:
 DIMENSIONS ARE IN INCHES
 TOLERANCES:
 FRACTIONAL ± 1/16
 MATERIAL

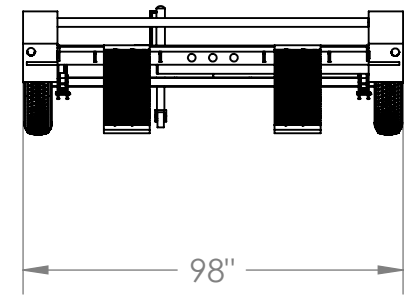
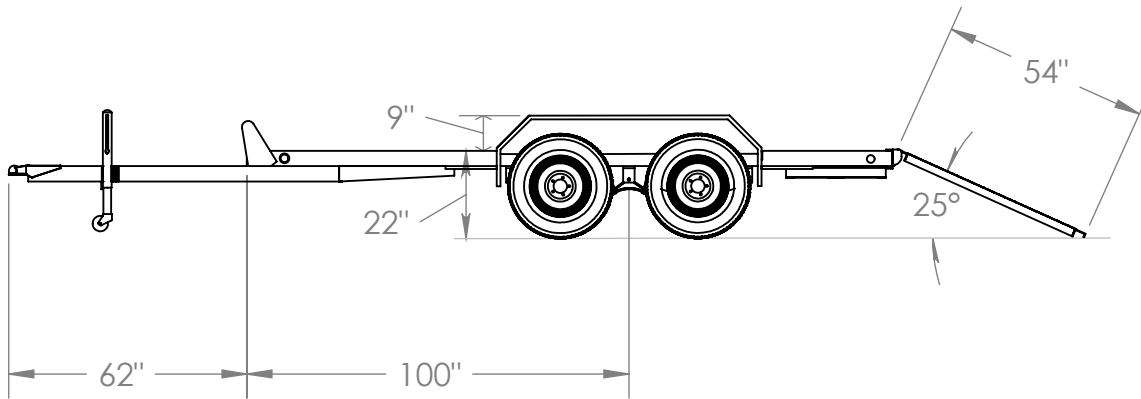
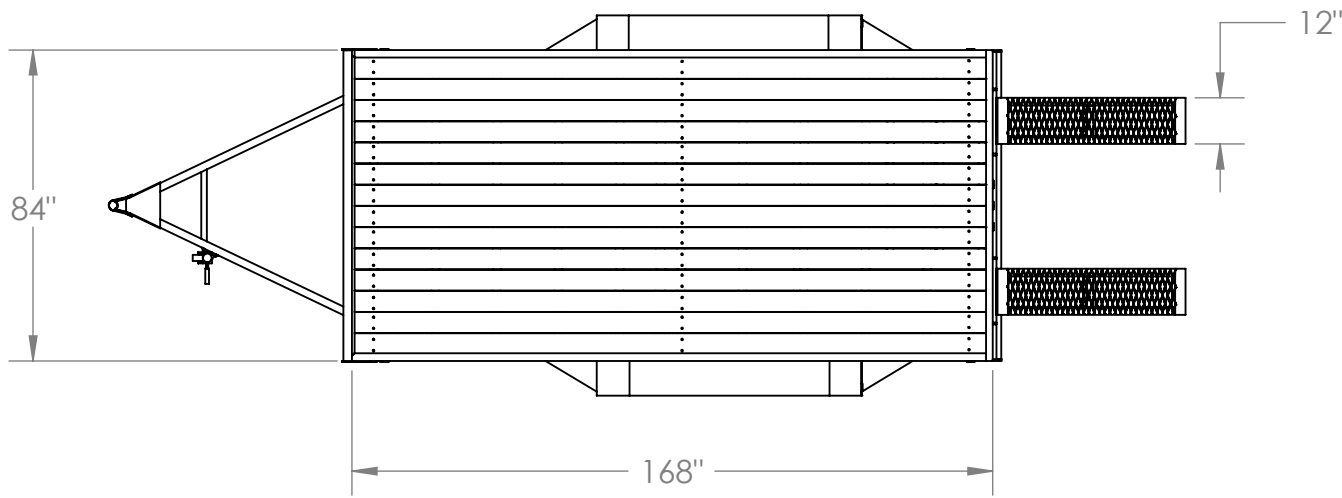


7'X14' 2.99k ATV

SIZE

TARE WEIGHT:
 1550 LBS

REV



	NAME	DATE
DRAWN	Don	Tuesday, August 07, 2012 12:10:46 PM
CHECKED		Tuesday, August 07, 2012 12:10:46 PM

PROPRIETARY AND CONFIDENTIAL
 THE INFORMATION CONTAINED IN THIS DRAWING IS THE SOLE PROPERTY OF GREAT NORTHERN TRAILER WORKS. ANY REPRODUCTION IN PART OR AS A WHOLE WITHOUT THE WRITTEN PERMISSION OF GREAT NORTHERN TRAILER WORKS IS PROHIBITED.

UNLESS OTHERWISE SPECIFIED:
 DIMENSIONS ARE IN INCHES
 TOLERANCES:
 FRACTIONAL ± 1/16
 MATERIAL



7'x14' 2.99k Tandem ATV

SIZE	TARE WEIGHT:	REV
	1800 LBS	