



3K Mini Dump

Standard Features:

Sizes: 5' x 8'

Coupler: 2" A frame

Axles: (1) 3500# Electric Braking

GVW: 3K

Lights: Incandescent Jeep lights

Jack: 7K Drop Leg

Deck: 1 piece bottom

Tie Downs: Tarp Hooks, D-rings

Paint: High solids polyurethane

Tires: 15" 5-hole Radial

Curb weight: 1350#

More on Back



1350 S Calapooia Street

Sutherlin, OR, 97479

541-459-6215

Features continued:

- Lifetime structural warranty
- Scissor lift and DC hydraulic pump
- Fender steps
- Lockable tool box
- Emergency break-away system
- Safety chains
- Spare Tire Mount
- Floor D-rings
- Stow-away 4 1/2' ramps
- 14ga sides and bottom



Optional (+\$):

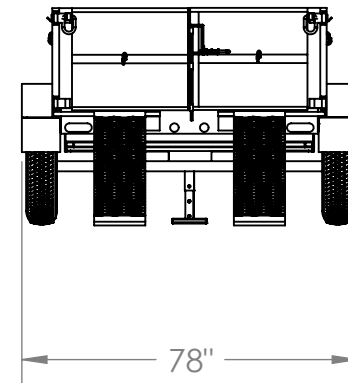
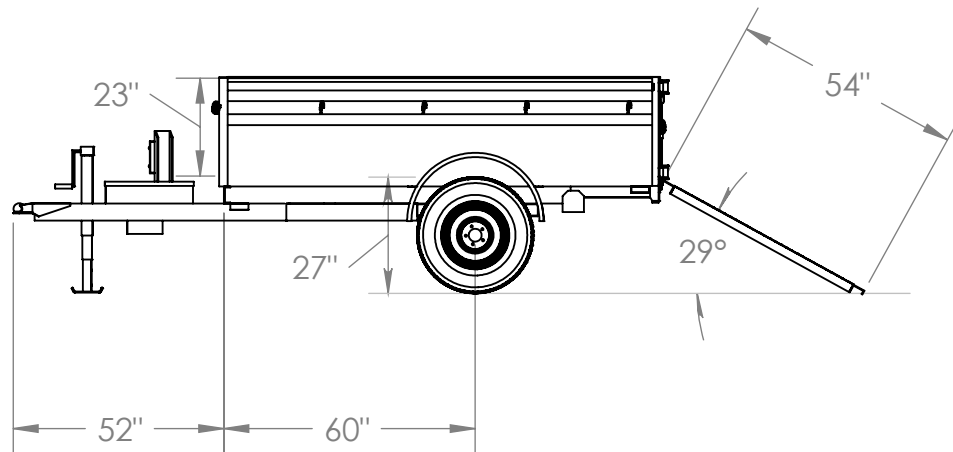
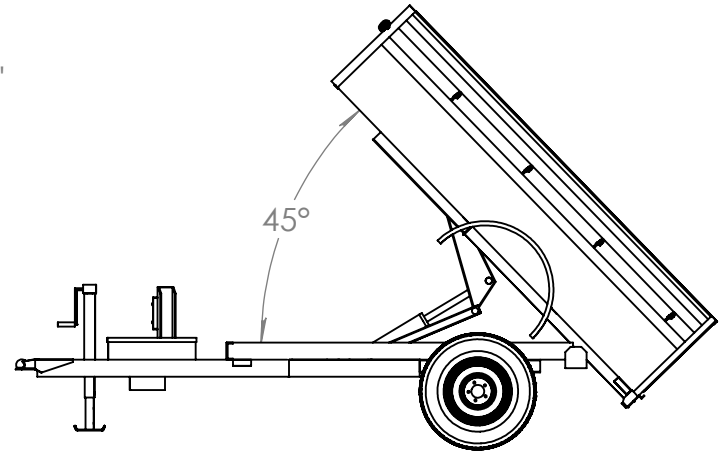
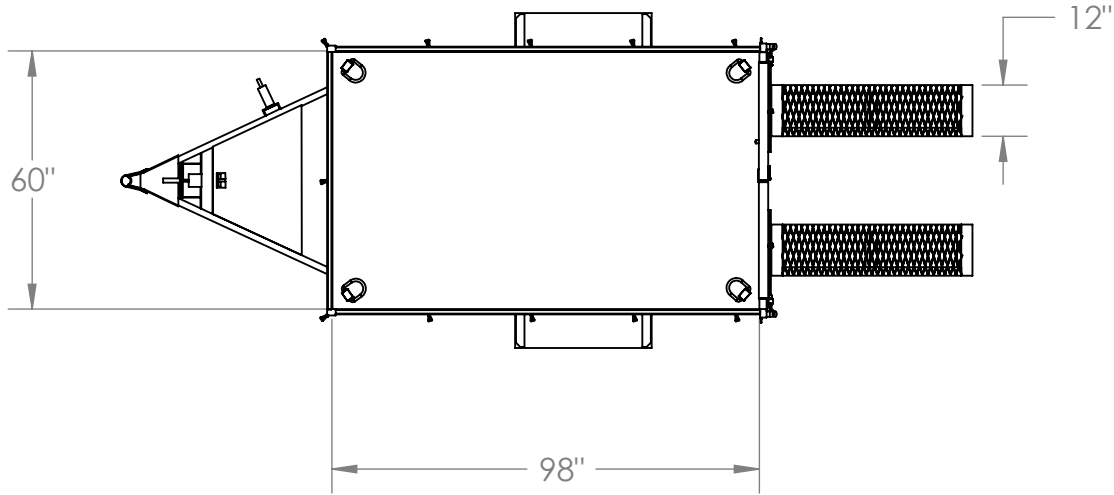
- Spare Tire
- Custom Color (see chart)



1350 S Calapooia Street

Sutherlin, OR, 97479

541-459-6215



	NAME	DATE
DRAWN	DON	Wednesday, September 05, 2012 11:48:11 AM
CHECKED		Wednesday, September 05, 2012 11:48:11 AM

PROPRIETARY AND CONFIDENTIAL
 THE INFORMATION CONTAINED IN THIS DRAWING IS THE SOLE PROPERTY OF GREAT NORTHERN TRAILER WORKS. ANY REPRODUCTION IN PART OR AS A WHOLE WITHOUT THE WRITTEN PERMISSION OF GREAT NORTHERN TRAILER WORKS IS PROHIBITED.

UNLESS OTHERWISE SPECIFIED:

DIMENSIONS ARE IN INCHES
 TOLERANCES:
 FRACTIONAL ± 1/16



5'x8' 3k Mini Dump

SIZE

TARE WEIGHT:

REV

1350 LBS