



7K Mid Size Dump

Standard Features:

Sizes: 5' or 6' width x 10'

Coupler: 2 5/16" A-Frame

Axles: (2) 3500# Electric Braking

GVW: 7K

Jack: 7K Drop Leg

Deck: 1 piece bottom

Tires: Radial 205/75R/15D 5 hole

Tie Downs: Stake Pockets , floor D-rings

Lights: Sealed LED w/ rubber mount

Paint: High solids polyurethane paint
w/phosphate prep

Curb weight: 5' 2250#

6' 2300#



1350 S Calapooia Street

Sutherlin, OR, 97479

541-459-6215

More on Back

Features continued:

- Lifetime structural warranty
- Scissor lift and DC hydraulic pump
- Fender steps
- 12ga Bottom
- 14ga sides
- 66" tear drop round fenders
- Lockable tool box
- Emergency break-away system
- Safety chains
- Spare tire mount
- Floor D-rings
- Stow-away 5' ramps

Optional (+\$):

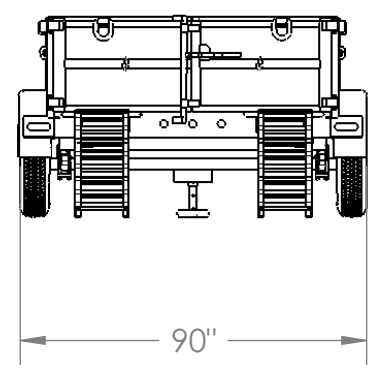
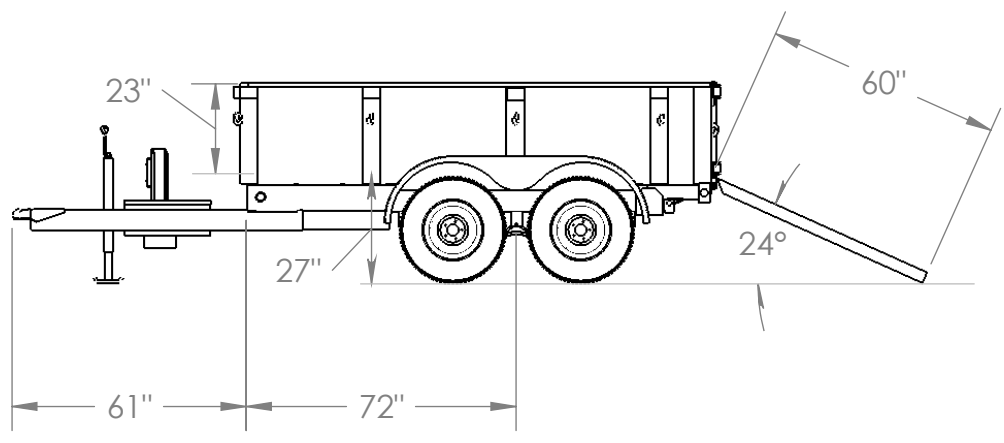
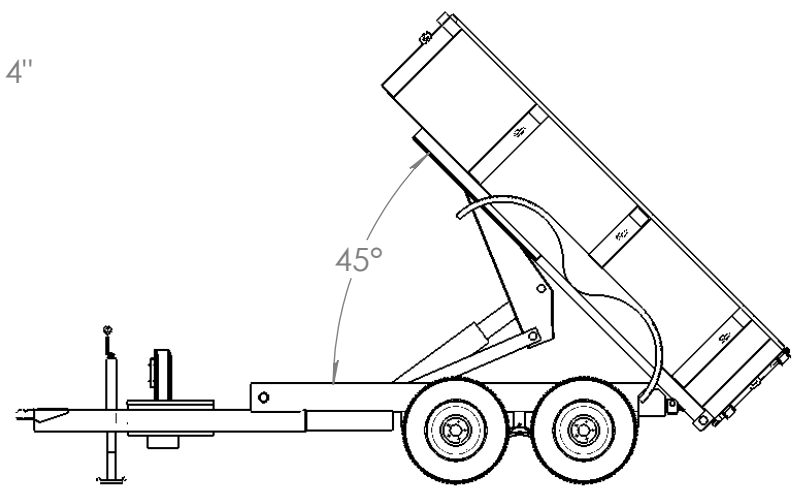
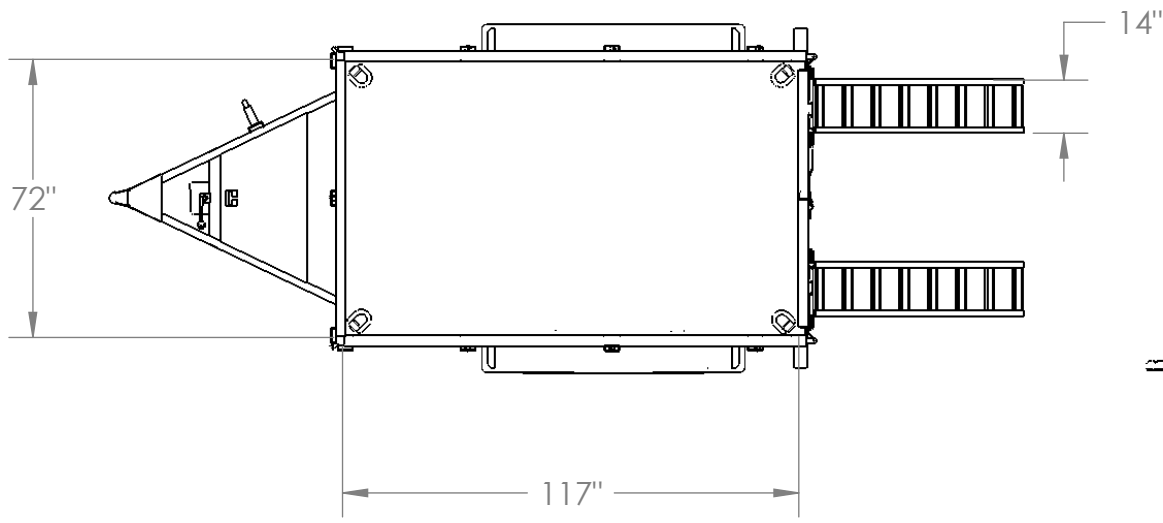
- Spreader gate
- Spare Tire
- Wireless Remote control
- Custom Color (see chart)



1350 S Calapooia Street

Sutherlin, OR, 97479

541-459-6215



	NAME	DATE
DRAWN	Don	Wednesday, September 05, 2012 10:23:27 AM
CHECKED		Wednesday, September 05, 2012 10:23:27 AM

PROPRIETARY AND CONFIDENTIAL
 THE INFORMATION CONTAINED IN THIS DRAWING IS THE SOLE PROPERTY OF GREAT NORTHERN TRAILER WORKS. ANY REPRODUCTION IN PART OR AS A WHOLE WITHOUT THE WRITTEN PERMISSION OF GREAT NORTHERN TRAILER WORKS IS PROHIBITED.

UNLESS OTHERWISE SPECIFIED:
 DIMENSIONS ARE IN INCHES
 TOLERANCES:
 FRACTIONAL ± 1/16
 MATERIAL



6'x10' 7k Mid Size Dump		
SIZE	TARE WIEGHT: 2300 LBS	REV