



# Standard Dump

## Standard Features:

**Bed Sizes:** 7' inside width x 10', 12', 14', w/ 2' sides

**Coupler:** 2 5/16" Adjustable 5 position

**Axles:** (2) Electric Braking w/ slipper springs

**GVW:** 10K, 12K, 14K

**Jack:** 10K Drop Leg

**Deck:** 1 piece bottom

**Tires:** Radial rated per GVW

**Tie Downs:** Stake Pockets, tarp hooks, floor D-rings

**Paint:** High solids polyurethane paint

**Lights:** Sealed LED w/ rubber mount

**Curb Weight:** 12' 12K: 4200#,  
14' 14K: 4700#



1350 S Calapooia Street

Sutherlin, OR, 97479

541-459-6215

**\*More features listed on Back\***

## Features continued:

- Lifetime structural warranty
- 10 gauge sides and floor
- Wireless Remote
- Power up and down hydraulic pump
- Fender steps
- Barn door/Spreader gate
- Heavy Duty 11 gauge Jeep style fenders
- Lockable Tool box
- Emergency break-away system
- Slide in 6' ramps
- Spare Tire Mount
- Scissor Lift
- 12" on center cross members

## Optional (+\$):

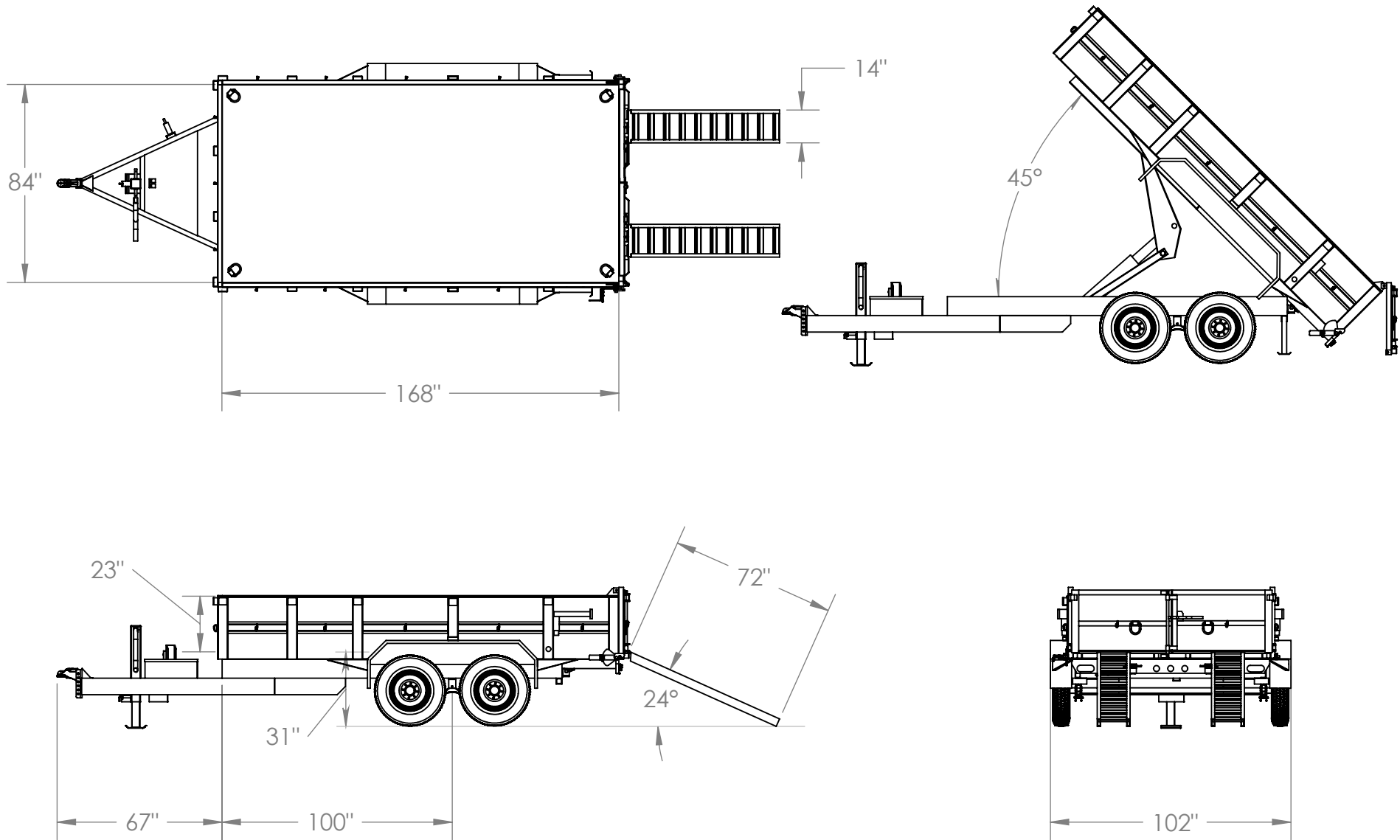
- 3' sides
- 4' sides
- Fold down sides
- 2' side extensions
- Spare Tire
- Custom Color (see chart)



1350 S Calapooia Street

Sutherlin, OR, 97479

541-459-6215



	NAME	DATE
DRAWN	Don	Tuesday, August 07, 2012 1:43:28 PM
CHECKED		Tuesday, August 07, 2012 1:43:28 PM

**PROPRIETARY AND CONFIDENTIAL**  
 THE INFORMATION CONTAINED IN THIS DRAWING IS THE SOLE PROPERTY OF GREAT NORTHERN TRAILER WORKS. ANY REPRODUCTION IN PART OR AS A WHOLE WITHOUT THE WRITTEN PERMISSION OF GREAT NORTHERN TRAILER WORKS IS PROHIBITED.

UNLESS OTHERWISE SPECIFIED:  
 DIMENSIONS ARE IN INCHES  
 TOLERANCES:  
 FRACTIONAL ± 1/16  
 MATERIAL



7'x14' 14k Std Dump

SIZE	TARE WEIGHT:	REV
	4700 LBS	