



## 20K Extreme Tilt

### Standard Features:

**Sizes:** 8'6" x 25' Total tilt  
or 20' tilt w/5' stationary

**Coupler:** 2 5/16" Adjustable gooseneck

**Axles:** (2) 10K dually oil batch w/elec brake

**GVW:** 20K

**Jack:** (2) 10K Drop Leg

**Deck:** 2"x6" Doug fir w/ rubber  
traction surface

**Tires:** Radial 235/80R/16E

**Tie Downs:** Rub rail w/ stake pockets &  
pipe spools

**Lights:** Sealed LED w/ rubber mount

**Paint:** High solids polyurethane

**Curb Weight:** 7600#

**\*More on Back\***



\*All pictures showing standard 20K Extreme tilt,  
painted optional white with hydraulic jacks.



1350 S Calapooia Street

Sutherlin, OR, 97479

541-459-6215

## Features continued:

- Lifetime structural warranty
- Safety step with handhold
- Lockable tool box
- Emergency break-away system
- Safety chains
- Spare tire mount
- Hydraulic cushion cylinder dampening system
- Available in Gooseneck or Pintle Pull, same price



## Optional (+\$):

- Winch and winch mount
- Neck Deck
- Power up and down
- Wireless remote control
- Spare Tire
- Custom Color (see chart)

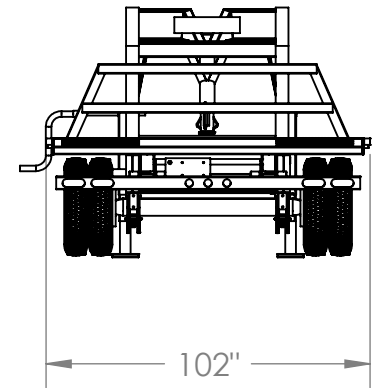
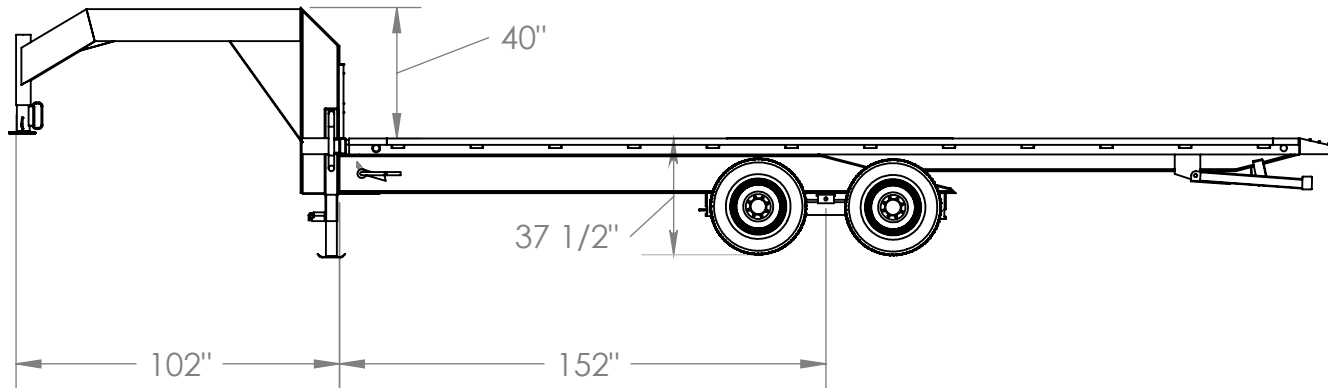
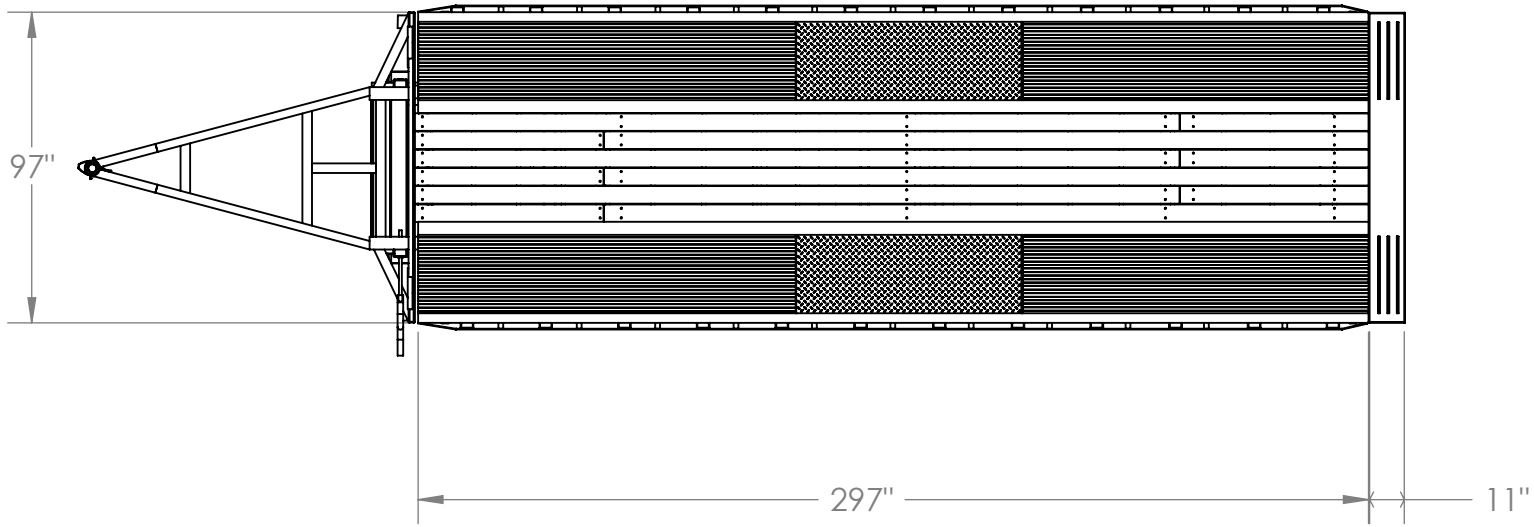
\*All pictures showing standard 20K Extreme tilt, painted optional white with hydraulic jacks.



1350 S Calapooia Street

Sutherlin, OR, 97479

541-459-6215



	NAME	DATE
DRAWN	Don	Wednesday, August 08, 2012 8:30:23 AM
CHECKED		Wednesday, August 08, 2012 8:30:23 AM

**PROPRIETARY AND CONFIDENTIAL**  
 THE INFORMATION CONTAINED IN THIS DRAWING IS THE SOLE PROPERTY OF GREAT NORTHERN TRAILER WORKS. ANY REPRODUCTION IN PART OR AS A WHOLE WITHOUT THE WRITTEN PERMISSION OF GREAT NORTHERN TRAILER WORKS IS PROHIBITED.

UNLESS OTHERWISE SPECIFIED:  
 DIMENSIONS ARE IN INCHES  
 TOLERANCES:  
 FRACTIONAL  $\pm 1/16$   
 MATERIAL

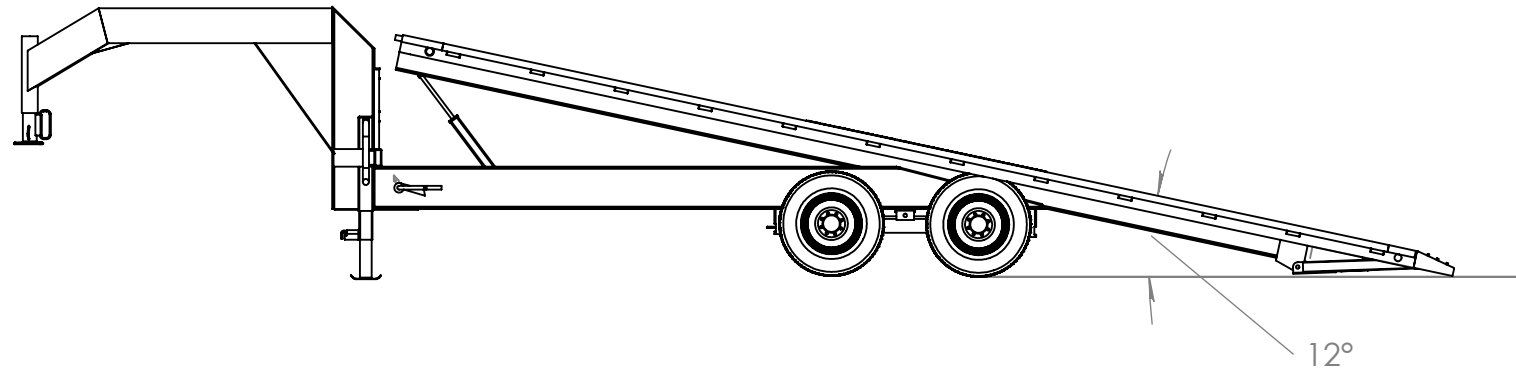
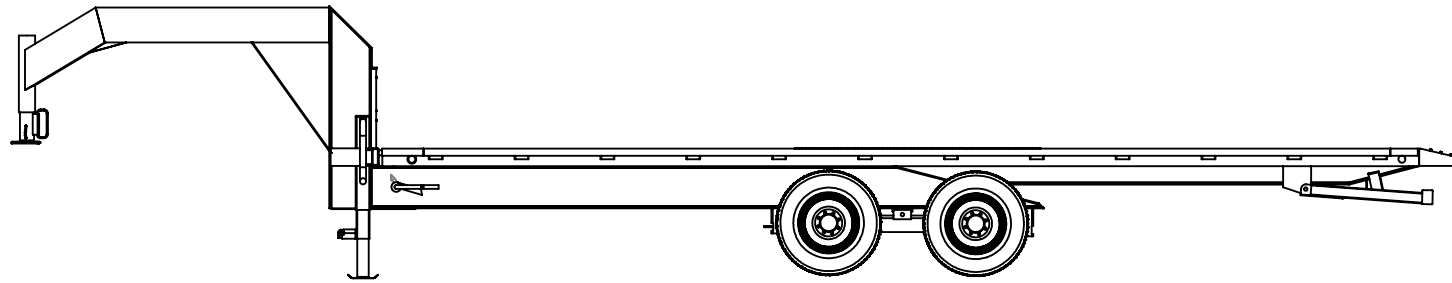


25' 20k Extreme Tilt

SIZE

TARE WEIGHT:  
 7600 LBS

REV



	NAME	DATE
DRAWN	Don	Wednesday, August 08, 2012 8:30:23 AM
CHECKED		Wednesday, August 08, 2012 8:30:23 AM

**PROPRIETARY AND CONFIDENTIAL**  
 THE INFORMATION CONTAINED IN THIS DRAWING IS THE SOLE PROPERTY OF GREAT NORTHERN TRAILER WORKS. ANY REPRODUCTION IN PART OR AS A WHOLE WITHOUT THE WRITTEN PERMISSION OF GREAT NORTHERN TRAILER WORKS IS PROHIBITED.

UNLESS OTHERWISE SPECIFIED:  
 DIMENSIONS ARE IN INCHES  
 TOLERANCES:  
 FRACTIONAL ± 1/16  
 MATERIAL



## 25' 20k Extreme Tilt

SIZE	TARE WIEGHT	REV
	7600 LBS	