



Lite Line Landscape

Standard Features:

Sizes: 4'x6' , 4'x8' , 5'x8'

Coupler: 2" A-frame

Axles: (1) 3500# Idler

GVW: 1800#

Jack: 2K A-frame

Deck: 2"x6" Douglas Fir

Tires: 15" 5 Hole Bias

Ramp: 4' expanded metal w/ tipper
latch system

Paint: High solids polyurethane paint

Lights: Jeep lights

Safety Chains

Tie Downs: Tarp Hooks

Curb Weight: 4'x6': 500#

4'x8': 600#

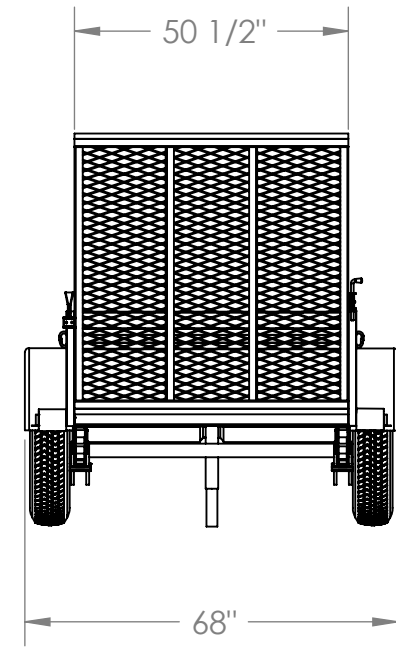
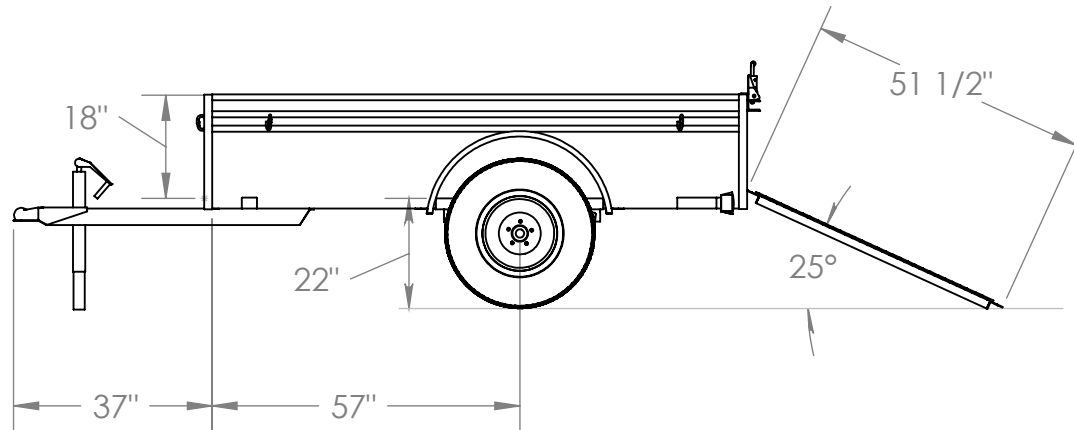
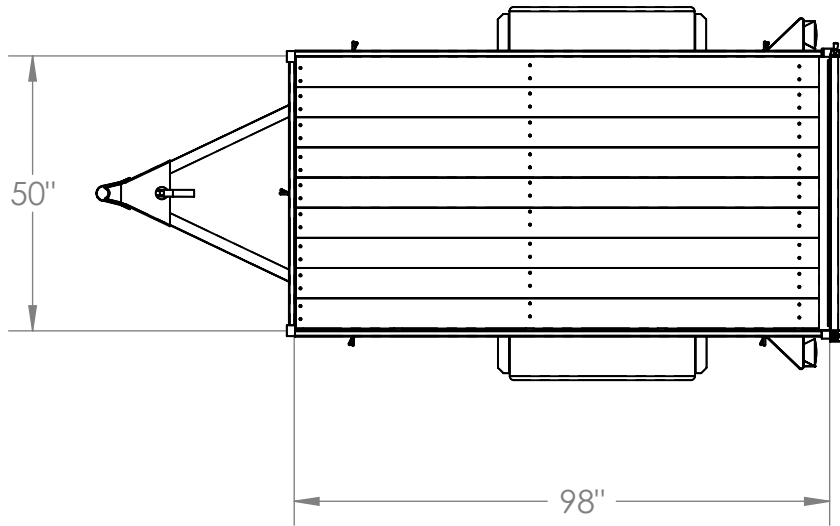
5'x8': 670#



1350 S Calapooia Street

Sutherlin, OR, 97479

541-459-6215



	NAME	DATE
DRAWN	Don	Tuesday, August 07, 2012 12:17:22 PM
CHECKED		Tuesday, August 07, 2012 12:17:22 PM

PROPRIETARY AND CONFIDENTIAL
 THE INFORMATION CONTAINED IN THIS DRAWING IS THE SOLE PROPERTY OF GREAT NORTHERN TRAILER WORKS. ANY REPRODUCTION IN PART OR AS A WHOLE WITHOUT THE WRITTEN PERMISSION OF GREAT NORTHERN TRAILER WORKS IS PROHIBITED.

UNLESS OTHERWISE SPECIFIED:
 DIMENSIONS ARE IN INCHES
 TOLERANCES:
 FRACTIONAL ± 1/16



4'x8' 2.99k LL-LS

SIZE	TARE WEIGHT:	REV
	600 LBS	