



14K Low Pro

Standard Features:

Sizes: 8'6" x 25'

Coupler: 2 5/16" Adjustable gooseneck

Axles: (2) 7K Electric Brake

GVW: 14K

Jack: (2) 10K Drop Leg

Deck: 2"x6" Doug fir w/ steel deck plate

Tires: Radial 235/80R/16E

Tie Downs: Rub rail w/ stake pockets & pipe spools

Lights: Sealed LED w/ rubber mount

Paint: High solids polyurethane

Curb Weight: 5300#

More on Back



1350 S Calapooia Street

Sutherlin, OR, 97479

541-459-6215

Features continued:

- Lifetime structural warranty
- Safety step with handhold
- Lockable tool box
- Emergency break-away system
- Safety chains
- Spare tire mount
- Spring Assist adjustable flip over ramps
- Available in Gooseneck or Pintle Pull, same price
- 5' Dovetail
- Deck Height: 33"



Optional (+\$):

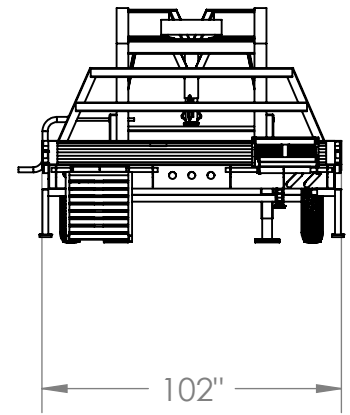
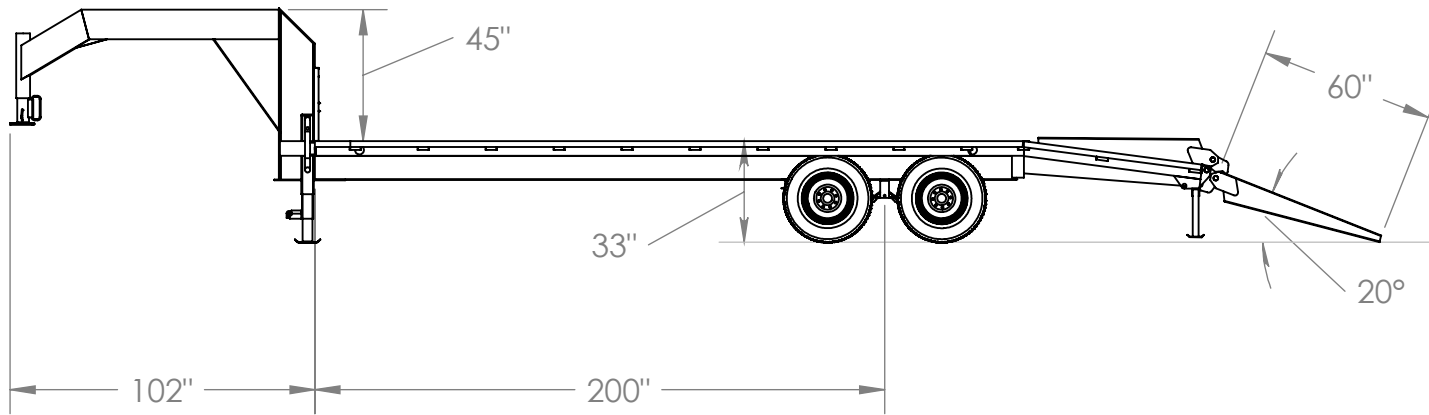
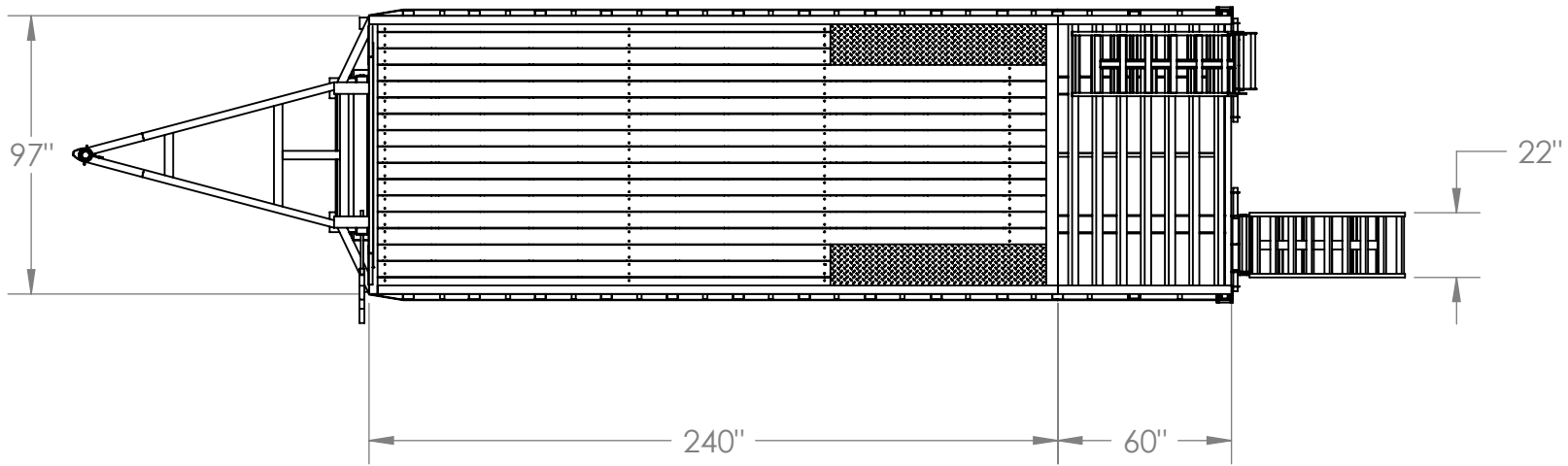
- Center pop-up
- Neck deck
- Spare Tire
- Winch and winch mount
- Rumber traction surface
- Custom Color (see chart)



1350 S Calapooia Street

Sutherlin, OR, 97479

541-459-6215



	NAME	DATE
DRAWN	DON	Tuesday, August 21, 2012 9:15:55 AM
CHECKED		Tuesday, August 21, 2012 9:15:55 AM

PROPRIETARY AND CONFIDENTIAL
 THE INFORMATION CONTAINED IN THIS DRAWING IS THE SOLE PROPERTY OF GREAT NORTHERN TRAILER WORKS. ANY REPRODUCTION IN PART OR AS A WHOLE WITHOUT THE WRITTEN PERMISSION OF GREAT NORTHERN TRAILER WORKS IS PROHIBITED.

UNLESS OTHERWISE SPECIFIED:

DIMENSIONS ARE IN INCHES
 TOLERANCES:
 FRACTIONAL ± 1/16



25' 14k Low Pro

SIZE

TARE WEIGHT:
 5300 LBS

REV