



## 20K Low Pro

### Standard Features:

**Sizes:** 8'6" x 25'

**Coupler:** 2 5/16" Adjustable gooseneck

**Axles:** (2) 10K dually oil bath w/elec brake

**GVW:** 20K

**Jack:** (2) 2 speed 10K spring retractable  
Drop Leg

**Deck:** 2"x6" Doug fir w/ steel deck plate

**Tires:** Radial 235/80R/16E

**Tie Downs:** Rub rail w/ stake pockets &  
pipe spools

**Lights:** Sealed LED w/ rubber mount

**Paint:** High solids polyurethane

**Curb Weight:** 6250#

**\*More on Back\***



1350 S Calapooia Street

Sutherlin, OR, 97479

541-459-6215

## Features continued:

- Lifetime structural warranty
- Safety step with handhold
- Lockable tool box
- Emergency break-away system
- Safety chains
- Spare tire mount
- Spring Assist adjustable flip over ramps
- Available in Gooseneck or Pintle Pull, same price
- 5' Dovetail
- Pierced Frame
- Main Frame- 12" x 19# WF Beam High Tensile
- Deck Height: 33"



## Optional (+\$):

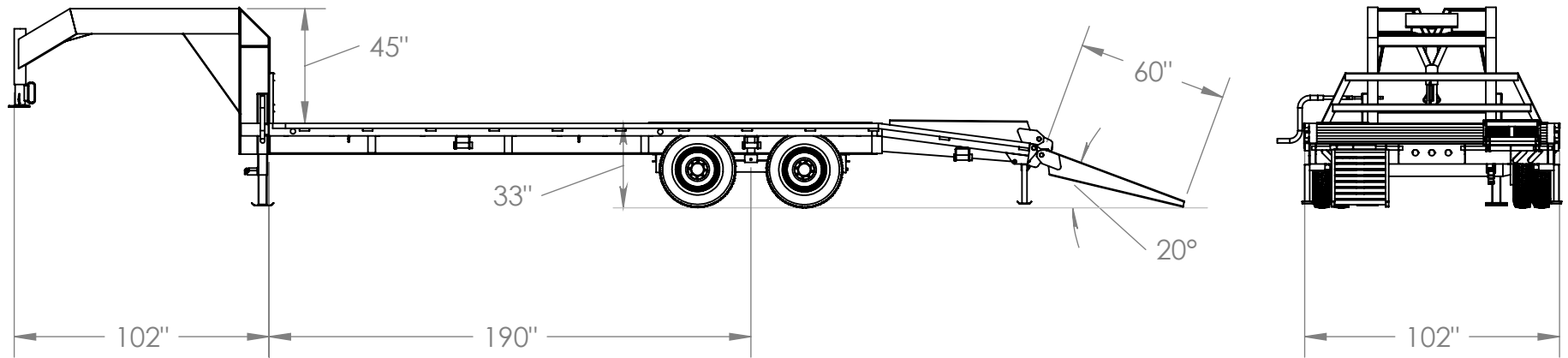
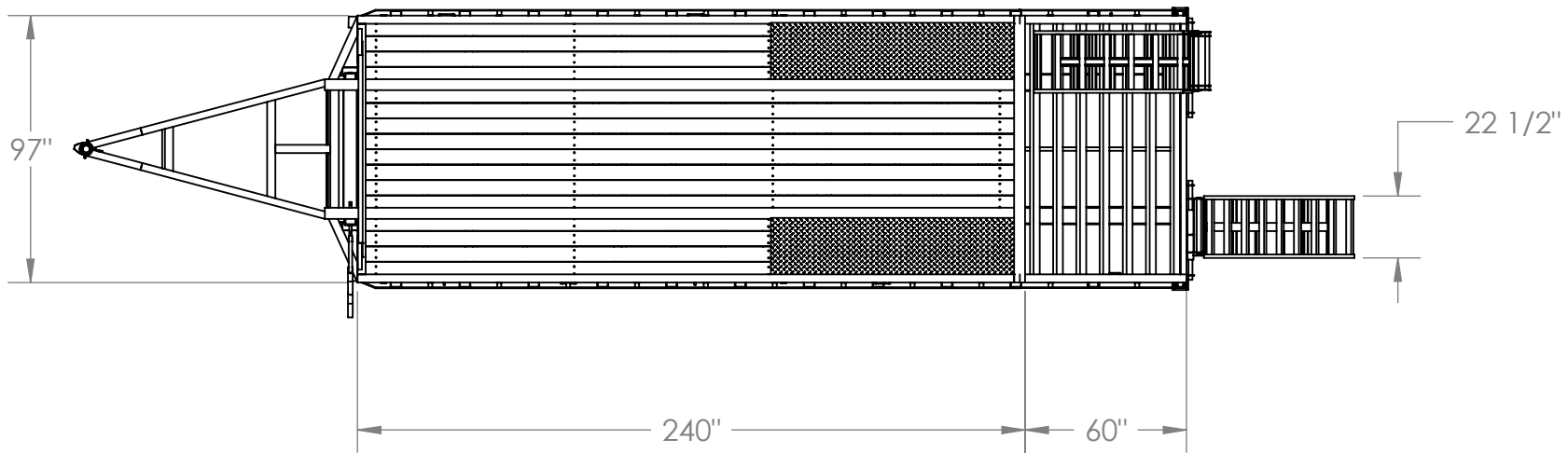
- Center pop-up
- Neck Deck
- 24K GVW
- Winch and winch mount
- Spare Tire
- Rubber traction surface
- Custom Color (see chart)



1350 S Calapooia Street

Sutherlin, OR, 97479

541-459-6215



	NAME	DATE
DRAWN	Don	Monday, August 27, 2012 2:55:48 PM
CHECKED		Monday, August 27, 2012 2:55:48 PM

**PROPRIETARY AND CONFIDENTIAL**  
 THE INFORMATION CONTAINED IN THIS DRAWING IS THE SOLE PROPERTY OF GREAT NORTHERN TRAILER WORKS. ANY REPRODUCTION IN PART OR AS A WHOLE WITHOUT THE WRITTEN PERMISSION OF GREAT NORTHERN TRAILER WORKS IS PROHIBITED.

UNLESS OTHERWISE SPECIFIED:  
 DIMENSIONS ARE IN INCHES  
 TOLERANCES:  
 FRACTIONAL ± 1/16  
 MATERIAL



## 25' 20k Low Pro

SIZE

TARE WEIGHT:  
 6250 LBS

REV