



## 20K Power Dove

### Standard Features:

**Sizes:** 8'6" x 20' w/ 9' power dove

**Coupler:** 2 5/16" Adjustable gooseneck

**Axles:** (2) 10K dually oil bath

w/ electric brake

**GVW:** 20K

**Jack:** (2) 2 speed 10K spring retractable  
Drop Leg

**Deck:** 2"x6" Doug fir w/ steel deck

**Lights:** Sealed LED w/ rubber mount

**Tie Downs:** Rub rail w/ stake pockets &  
pipe spools

**Tires:** Radial 235/80R/16E

**Paint:** High solids polyurethane

**Curb Weight:** 7650#

**\*More on Back\***



1350 S Calapooia Street

Sutherlin, OR, 97479

541-459-6215

## Features continued:

- Lifetime structural warranty
- Safety step with handhold
- Lockable tool box
- Emergency break-away system
- Safety chains
- Spare tire mount
- Available in Gooseneck or Pintle Pull, same price
- Dovetail: Hydraulic dovetail w/ power up and down w/ twin 4" x 20" tie rod cylinders
- Rumber traction dove tail surface
- Pierced Frame
- Main Frame-12" x 19# WF Beam  
High Tensile
- Deck Height: 33"

## Optional (+\$):

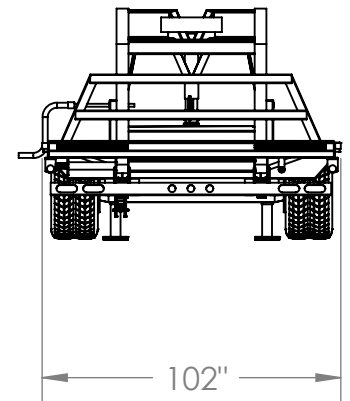
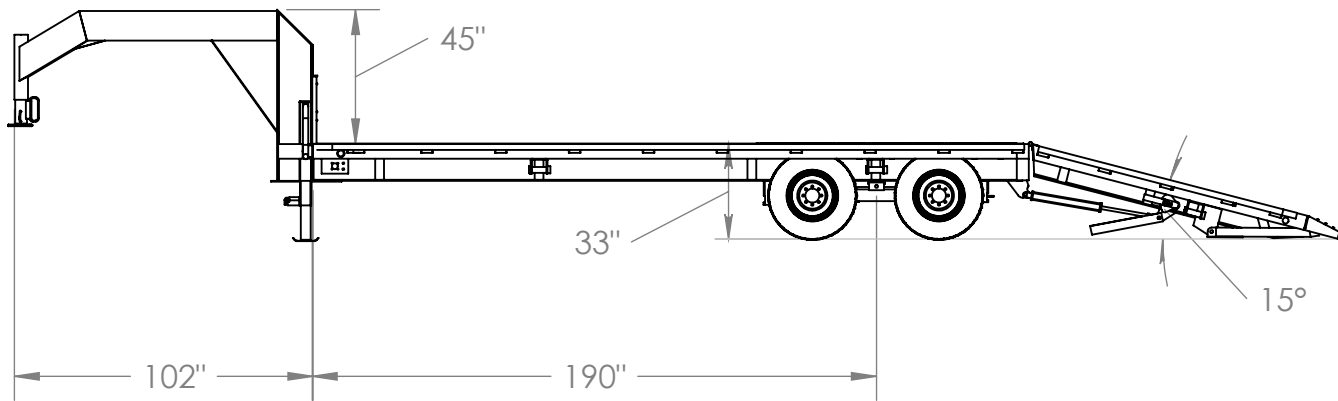
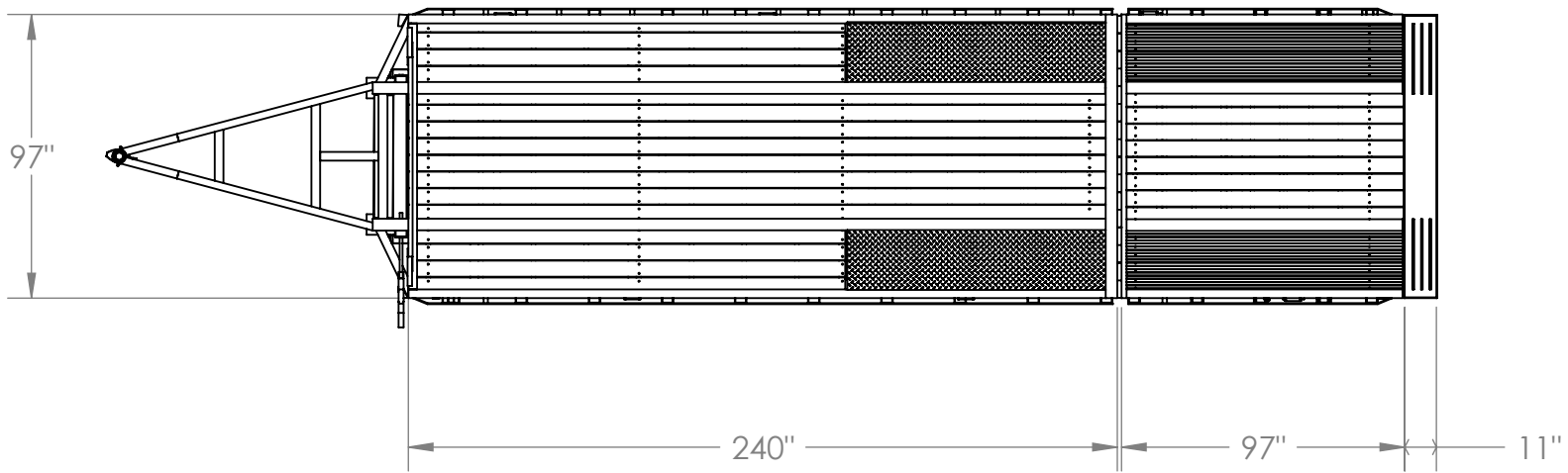
- Winch and winch mount
- Spare tire
- Neck Deck
- 24K GVW
- Wireless remote control
- Rumber traction whole length of deck
- Custom Color (see chart)



1350 S Calapooia Street

Sutherlin, OR, 97479

541-459-6215



	NAME	DATE
DRAWN	DON	Tuesday, August 21, 2012 11:51:40 AM
CHECKED		Tuesday, August 21, 2012 11:51:40 AM

**PROPRIETARY AND CONFIDENTIAL**  
 THE INFORMATION CONTAINED IN THIS DRAWING IS THE SOLE PROPERTY OF GREAT NORTHERN TRAILER WORKS. ANY REPRODUCTION IN PART OR AS A WHOLE WITHOUT THE WRITTEN PERMISSION OF GREAT NORTHERN TRAILER WORKS IS PROHIBITED.

UNLESS OTHERWISE SPECIFIED:

DIMENSIONS ARE IN INCHES  
 TOLERANCES:  
 FRACTIONAL ± 1/16



29' 20k Power Dove

SIZE

TARE WEIGHT:

REV

7650 LBS