



Single Axle Total Tilt

Standard Features:

Sizes: 14' long x 7', 6', or 5' wide

Coupler: 2 5/16" A-frame

Axles: Single braking 4' drop axle

GVW: 3.5K, 5K, 7K

Tires: Radial Tires rated per GVW

Tie Downs: Stake Pockets, D-rings

Lights: Sealed LED w/ rubber mount

Paint: High solids polyurethane

Deck: 2" x 6" Douglas Fir

Jack: 7K Drop Leg

Curb Weight: 7' x 14' 5K: 1750#



1350 S Calapooia Street

Sutherlin, OR, 97479

541-459-6215

More on Back

Single Axle Total Tilt

Features continued:

- Lifetime structural warranty
- Hydraulic cushion cylinder
- Fender steps
- Heavy duty 11 gauge Jeep style fenders
- Emergency break-away system
- Safety chains
- Spare tire mount
- Front bumper bar



Optional (+\$):

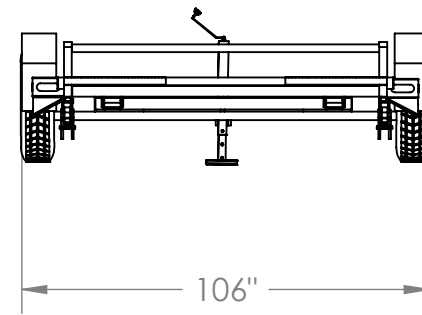
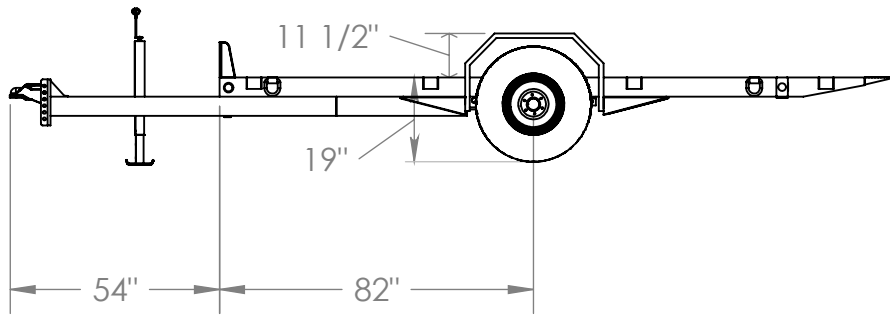
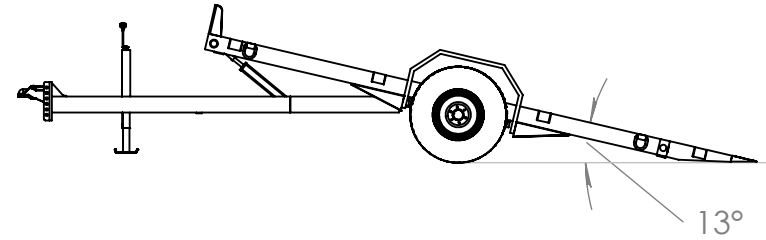
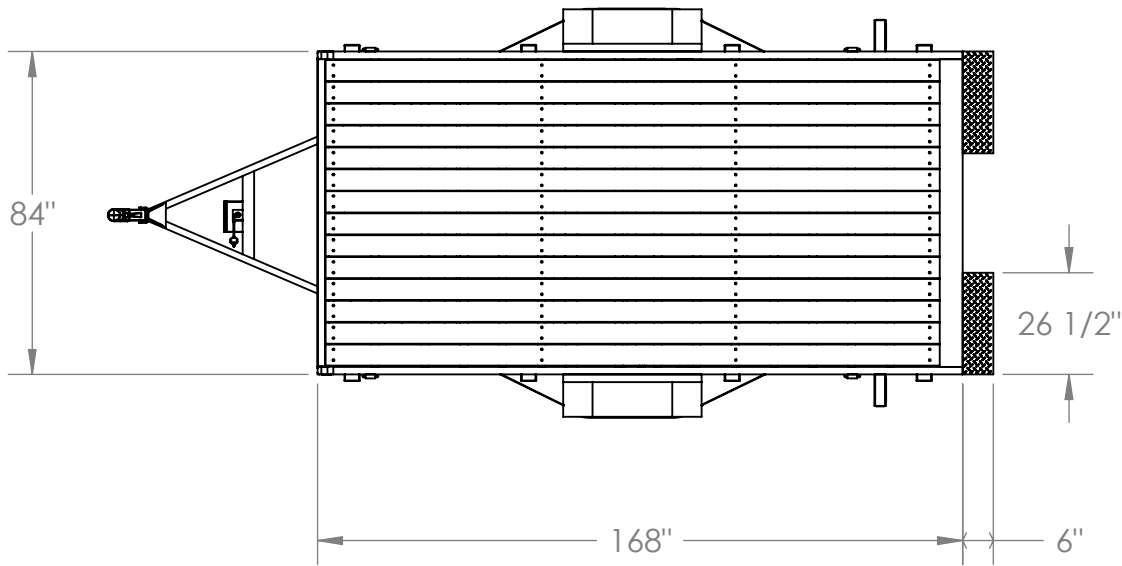
- Power up and down
- Winch and winch mount
- 1/8" Tread plate steel deck
- Wireless remote control
- Spare Tire
- Custom Color (see chart)



1350 S Calapooia Street

Sutherlin, OR, 97479

541-459-6215



	NAME	DATE
DRAWN	Don	Friday, August 10, 2012 11:29:12 AM
CHECKED		Friday, August 10, 2012 11:29:12 AM

PROPRIETARY AND CONFIDENTIAL
 THE INFORMATION CONTAINED IN THIS DRAWING IS THE SOLE PROPERTY OF GREAT NORTHERN TRAILER WORKS. ANY REPRODUCTION IN PART OR AS A WHOLE WITHOUT THE WRITTEN PERMISSION OF GREAT NORTHERN TRAILER WORKS IS PROHIBITED.

UNLESS OTHERWISE SPECIFIED:
 DIMENSIONS ARE IN INCHES
 TOLERANCES:
 FRACTIONAL ± 1/16
 MATERIAL



7'x14' 5k Single Axle Tilt

SIZE	TARE WIEGHT:	REV
	1750 LBS	