



Tandem Landscape

Standard Features:

Sizes: 6', 7' wide x 12', 14' long

Coupler: 2 5/16" A-frame

Axles: (2) 3500# Elect Braking

GVW: 7K

Jack: 7K Drop leg

Tires: 15" 5 Hole Radial

Tie Downs: Tarp Hooks and Stake Pockets

Ramp: 4' expanded metal w/ tipper latch system

Paint: High solids polyurethane

Lights: Sealed LED w/ rubber mount

Deck: 2"x6" Douglas Fir

Curb Weight: 7'x14': 2200#

More on back



*All pictures showing LS 1470 with optional Jed box, aluminum wheels, steel deck, and D-ring package.



1350 S Calapooia Street

Sutherlin, OR, 97479

541-459-6215

Features continued:

- Lifetime Structural warranty
- Safety Chains
- Spare Tire Mount
- Emergency breakaway system



Optional (+\$):

- Spare Tire
- Jed Box
- Custom Color (see chart)

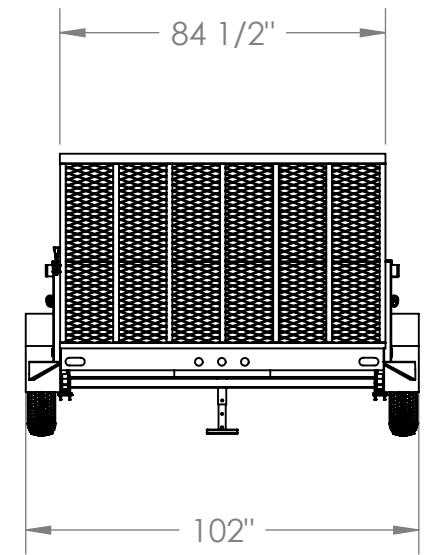
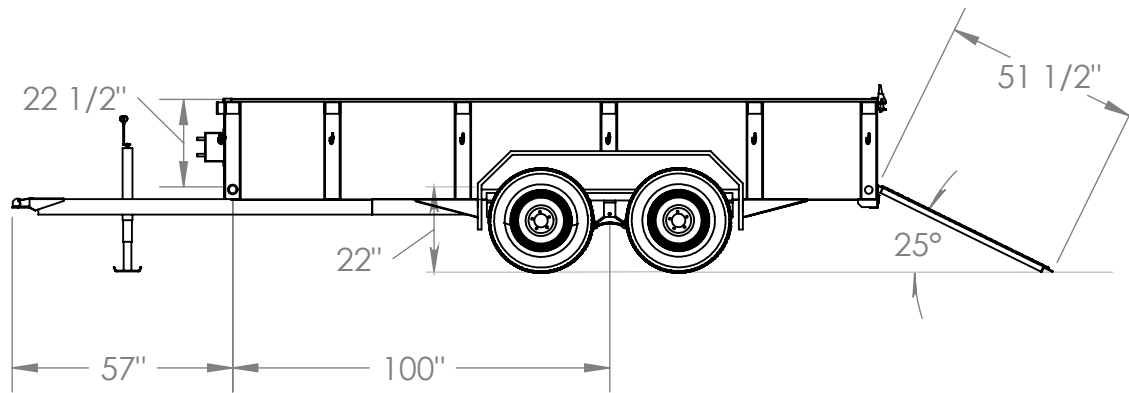
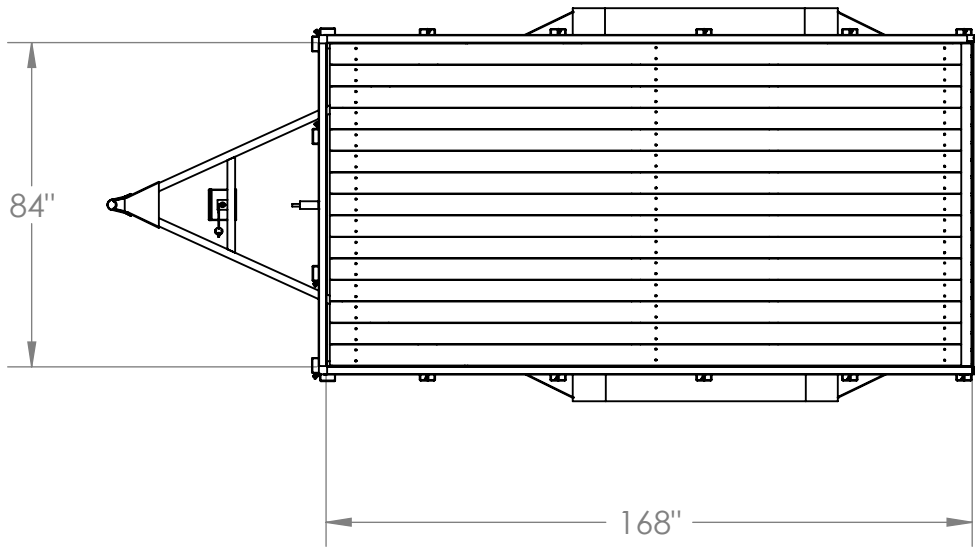
*All pictures showing LS 1470 with optional Jed box, aluminum wheels, steel deck, and D-ring package.



1350 S Calapooia Street

Sutherlin, OR, 97479

541-459-6215



	NAME	DATE
DRAWN	Don	Monday, August 27, 2012 2:11:09 PM
CHECKED		Monday, August 27, 2012 2:11:09 PM

PROPRIETARY AND CONFIDENTIAL
 THE INFORMATION CONTAINED IN THIS DRAWING IS THE SOLE PROPERTY OF GREAT NORTHERN TRAILER WORKS. ANY REPRODUCTION IN PART OR AS A WHOLE WITHOUT THE WRITTEN PERMISSION OF GREAT NORTHERN TRAILER WORKS IS PROHIBITED.

UNLESS OTHERWISE SPECIFIED:
 DIMENSIONS ARE IN INCHES
 TOLERANCES:
 FRACTIONAL ± 1/16
 MATERIAL



7'x14' 7k Tandem LS

SIZE	TARE WEIGHT:	REV
	2100 LBS	