



7K and 10K Total Tilt

Standard Features:

Sizes: 7' between the fenders x 18' long

Coupler: 2 5/16" A-frame

Axles: Tandem Torsion with Electric Brake

GVW: 7K or 10K

Tires: Radial Tires rated per GVW

Tie Downs: Stake Pockets, D-rings

Lights: Sealed LED w/ rubber mount

Paint: High solids polyurethane paint

Deck: 2" x 6" Douglas Fir

Jack: 7K Drop Leg

Curb Weight: 18' 7K: 2600#

18' 10K: 2700#



*All pictures showing a standard 10K total tilt, with optional custom red color.



1350 S Calapooia Street

Sutherlin, OR, 97479

541-459-6215

More on Back

7K and 10K Total Tilt

Features continued:

- Lifetime structural warranty
- Hydraulic cushion cylinder
- Fender steps
- Heavy duty 11 gauge Jeep style fenders
- Tongue chain basket
- Emergency break-away system
- Safety chains
- Spare tire mount
- Front bumper bar



Optional (+\$):

- Power up and down
- Winch and winch mount
- 1/8" Tread plate steel deck
- Wireless remote control
- Spare Tire
- Custom Color (see chart)

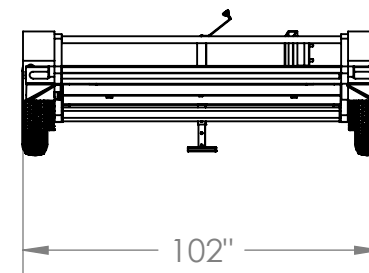
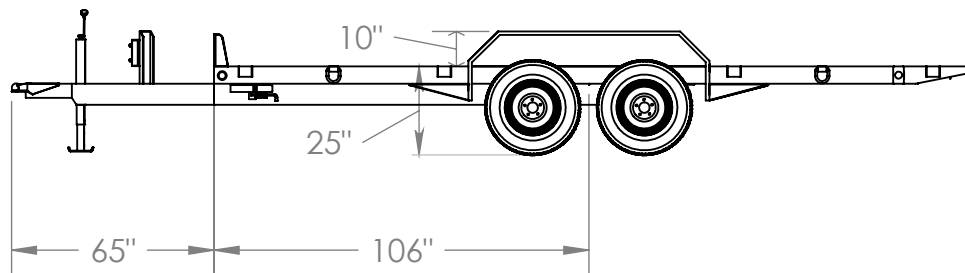
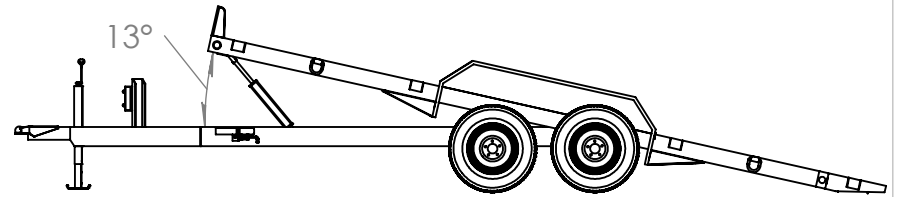
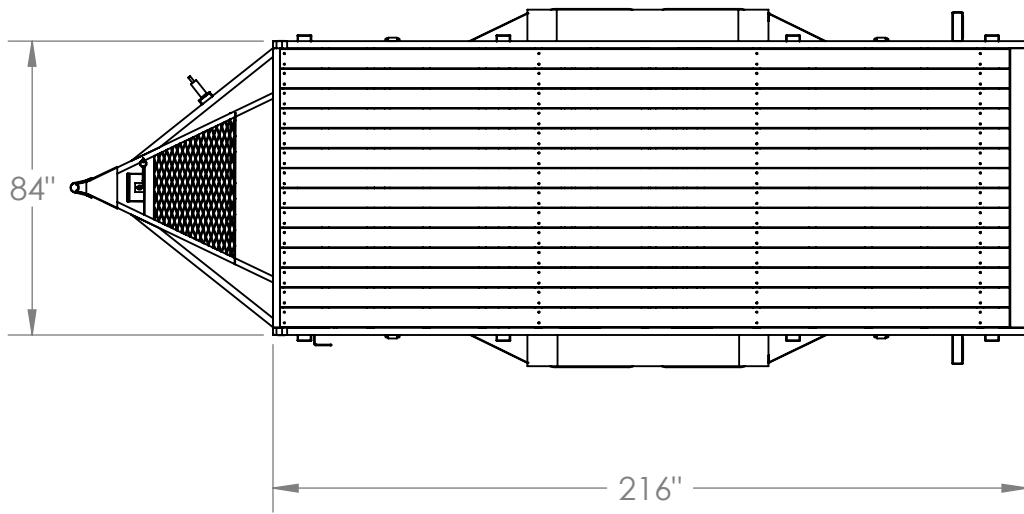
*All pictures showing a standard 10K total tilt, with optional custom red color.



1350 S Calapooia Street

Sutherlin, OR, 97479

541-459-6215



	NAME	DATE
DRAWN	Don	Monday, August 27, 2012 9:37:52 AM
CHECKED		Monday, August 27, 2012 9:37:52 AM

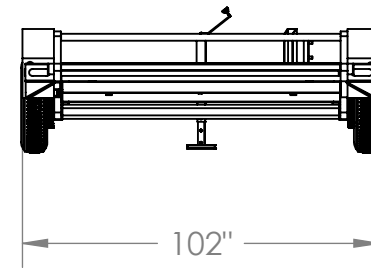
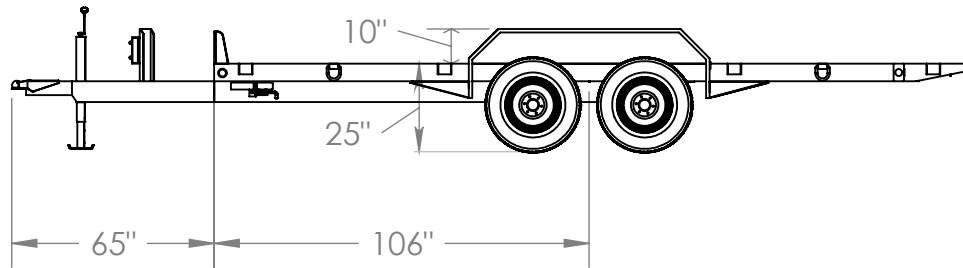
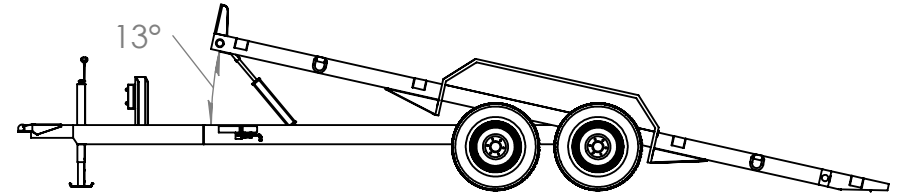
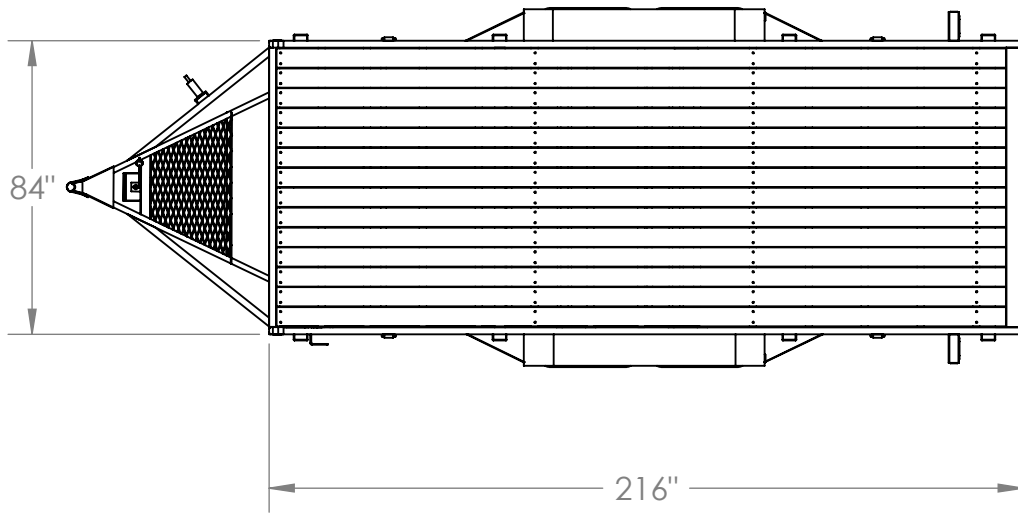
PROPRIETARY AND CONFIDENTIAL
 THE INFORMATION CONTAINED IN THIS DRAWING IS THE SOLE PROPERTY OF GREAT NORTHERN TRAILER WORKS. ANY REPRODUCTION IN PART OR AS A WHOLE WITHOUT THE WRITTEN PERMISSION OF GREAT NORTHERN TRAILER WORKS IS PROHIBITED.

UNLESS OTHERWISE SPECIFIED:
 DIMENSIONS ARE IN INCHES
 TOLERANCES:
 FRACTIONAL ± 1/16
 MATERIAL



18' 7k Total Tilt

SIZE	TARE WIEGHT	REV
	2600 LBS	



	NAME	DATE
DRAWN	Don	Monday, August 27, 2012 9:37:52 AM
CHECKED		Monday, August 27, 2012 9:37:52 AM

PROPRIETARY AND CONFIDENTIAL
 THE INFORMATION CONTAINED IN THIS DRAWING IS THE SOLE PROPERTY OF GREAT NORTHERN TRAILER WORKS. ANY REPRODUCTION IN PART OR AS A WHOLE WITHOUT THE WRITTEN PERMISSION OF GREAT NORTHERN TRAILER WORKS IS PROHIBITED.

UNLESS OTHERWISE SPECIFIED:
 DIMENSIONS ARE IN INCHES
 TOLERANCES:
 FRACTIONAL ± 1/16
 MATERIAL



18' 10k Total Tilt

SIZE	TARE WIEGHT	REV
	2700 LBS	