



5K Mini Dump

Standard Features:

Sizes: 5' x 10'

Coupler: 2 5/16" A frame

Axles: Single—(1) 5200# Electric Braking

Tandem—(2) 3500# Electric Braking

GVW: 5K

Lights: Incandescent Jeep lights

Jack: 7K Drop Leg

Deck: 1 piece bottom

Paint: High solids polyurethane

Tie Downs: Tarp Hooks, D-rings

Tires: Radial rated per GVW

Curb weight: 5K:1600#

Tandem 5K:2100#



1350 S Calapooia Street

Sutherlin, OR, 97479

541-459-6215

More on Back

Features continued:

- Lifetime structural warranty
- Scissor lift and DC hydraulic pump
- Fender steps
- Lockable tool box
- Emergency break-away system
- Safety chains
- Spare tire mount
- Floor D-rings
- Stow-away 4 1/2' ramps
- 14ga sides and bottom



Optional (+\$):

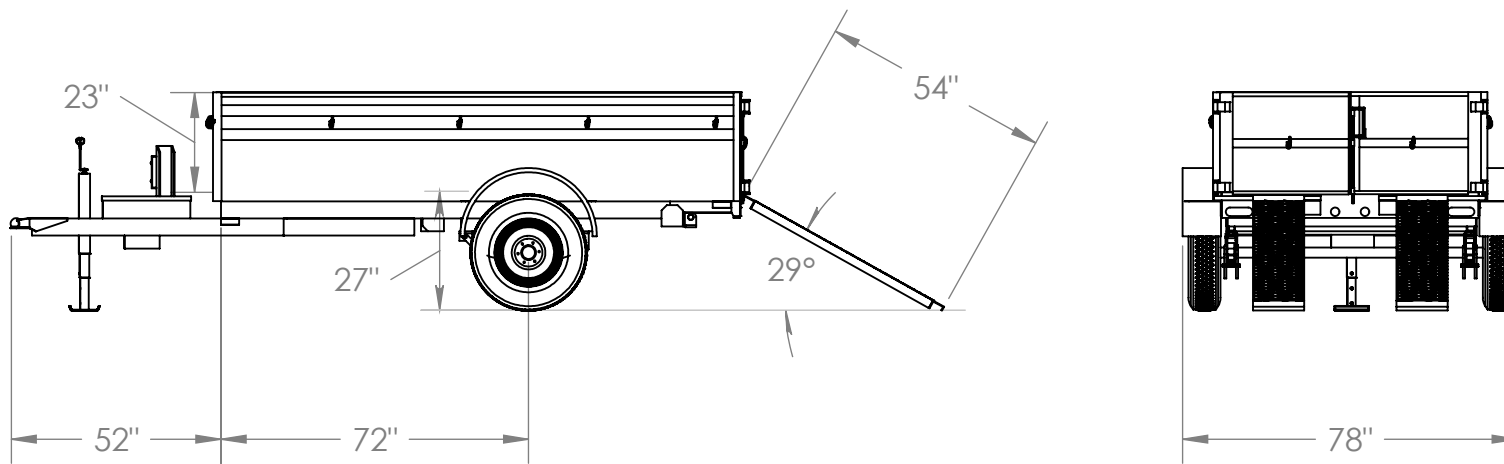
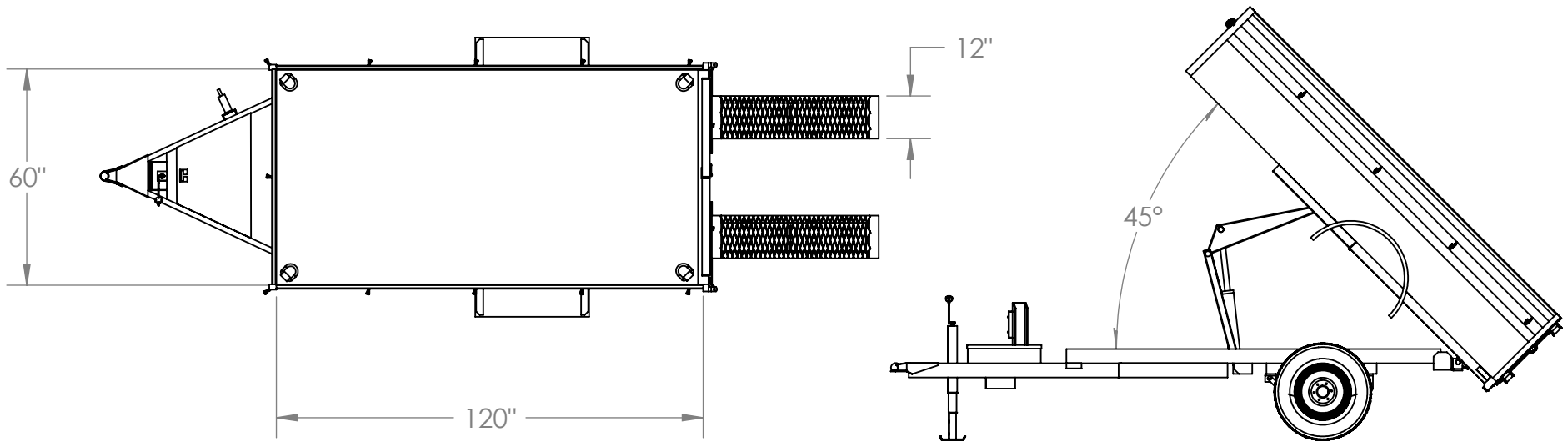
- Spare Tire
- Custom Color (see chart)



1350 S Calapooia Street

Sutherlin, OR, 97479

541-459-6215



	NAME	DATE
DRAWN	Don	Tuesday, August 14, 2012 10:44:33 AM
CHECKED		Tuesday, August 14, 2012 10:44:33 AM

PROPRIETARY AND CONFIDENTIAL
 THE INFORMATION CONTAINED IN THIS DRAWING IS THE SOLE PROPERTY OF GREAT NORTHERN TRAILER WORKS. ANY REPRODUCTION IN PART OR AS A WHOLE WITHOUT THE WRITTEN PERMISSION OF GREAT NORTHERN TRAILER WORKS IS PROHIBITED.

UNLESS OTHERWISE SPECIFIED:

DIMENSIONS ARE IN INCHES
 TOLERANCES:
 FRACTIONAL ± 1/16

MATERIAL



5'x10' 5k Mini Dump

SIZE	TARE WIEGHT	REV
	1700 LBS	